

CM5017 REAR 2ND AND 3RD ROW SEATS

Video instructions are available at
<https://www.fhgroupauto.com/product/custom-fit-seat-covers-2020-2022-ford-explorer/>



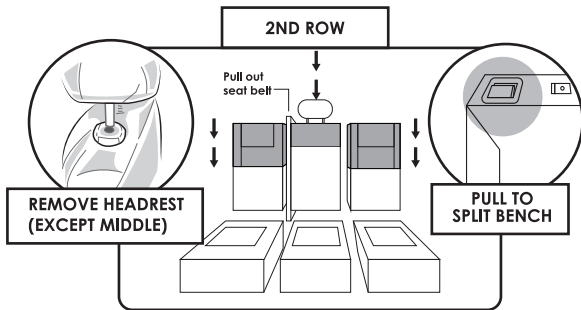
READ → ↓

Warning

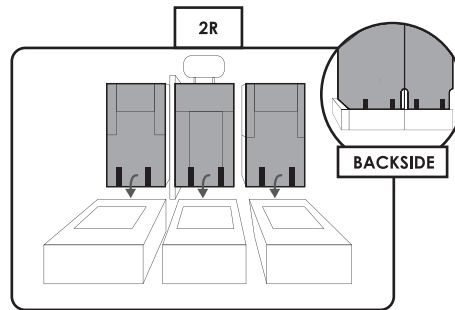
- Machine wash cold, delicate cycle. Air dry only.
- Avoid sharp objects to protect covers from being scratched/damaged.
- We suggest wearing protective eyewear and gloves during installation.

**PACKAGE
INCLUDES**

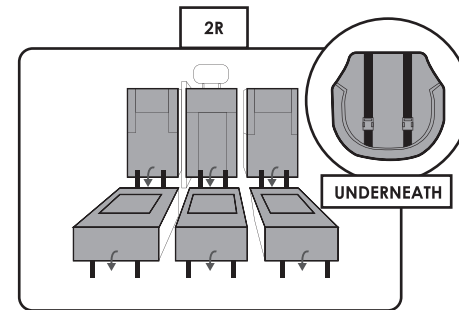
	2ND ROW (2R)	3RD ROW (3R)
HEAD REST COVER		
BACK REST COVER		
BOTTOM SEAT COVER		



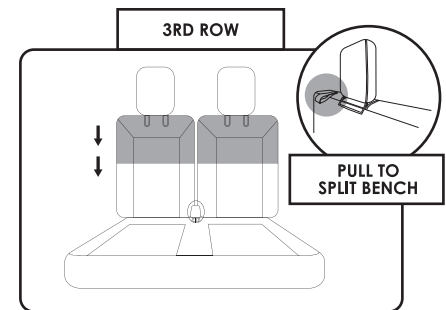
① To install the backrest covers, first remove the headrests and slide the covers on. For the middle backrest, unzip the cover and slide it over the backrest while inserting the headrest through the opening.



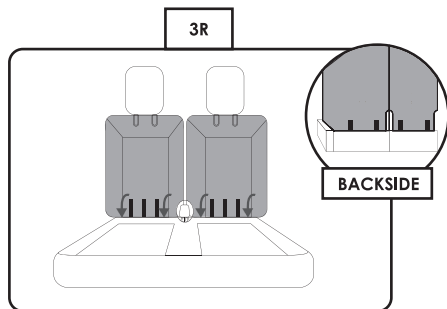
② Push the hook-and-loop straps through the seat crevice and then, on the backside of the seat, attach the straps to the seat upholstery.



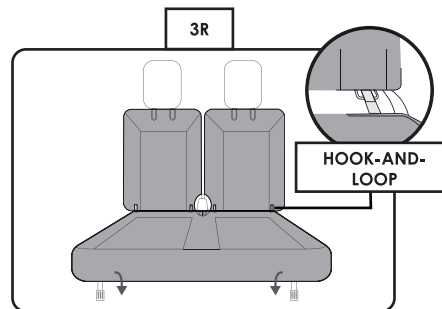
③ Place the bottom seat covers on your car seat. Then, push the back buckle straps through the seat crevice and attach them to front straps underneath the seat.



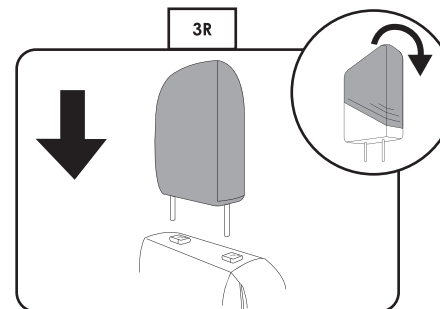
④ To install the 3rd row seat covers, Slide the backrest covers over each backrest. You can split the bench to make the installation easier.



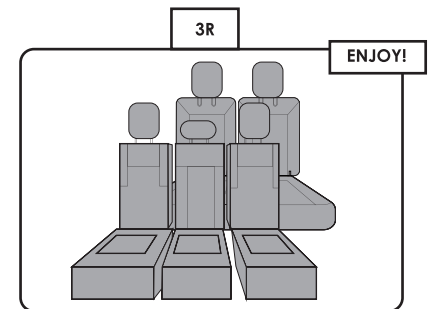
⑤ Push the hook-and-loop straps through the seat crevice and attach them directly to the upholstery of the backrest back.



⑥ To install the bottom seat cover, place it on the seat. Then, locate the seat's metal latch anchors in the crevice of the seat and connect the cover's hook-and loop straps around each latch as shown in the image. Lastly, insert the front metal clips into the opening between the seat and the floor.



⑦ Reattach the headrests on and slip on the headrest covers. TIP: Starting from either side of the headrest and sliding the cover sideways will help you achieve a secure fit.



⑧ Adjust accordingly, smooth out your custom fit seat covers and enjoy!