

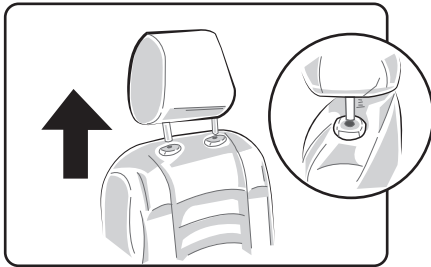
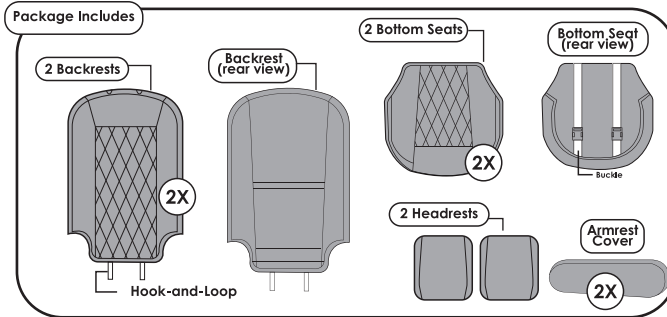
CM5020-FRONT COVER:



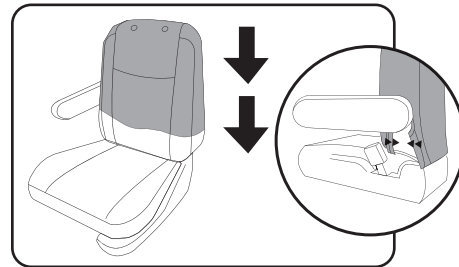
Video instructions are available at <https://www.fhgrouppauto.com/product/custom-car-seat-covers-for-2011-2020-toyota-sinena-full-set/>

Warning

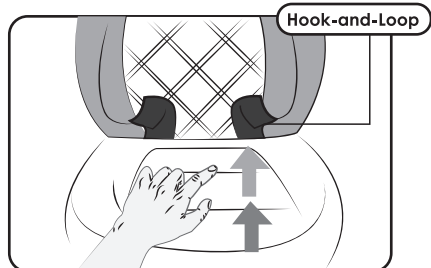
- Machine wash cold, delicate cycle. Air dry only.
- Avoid sharp objects to protect covers from being scratched/damaged.
- We suggest wearing protective eyewear and gloves during installation.



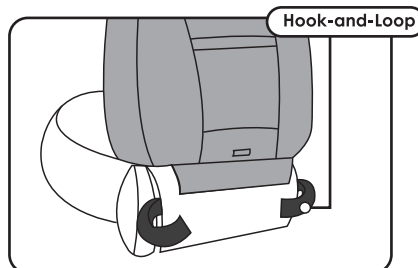
1 Detach the headrest by pressing the button located at the base of the headrest. Then simply lift the headrest to separate it from the backrest.



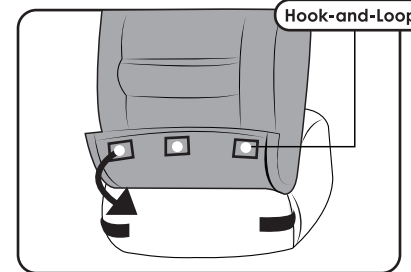
2 Place the backrest cover over the seat making sure the headrest opening are aligned accordingly. Then, connect the hook-and-loop attachments located underneath the armrest.



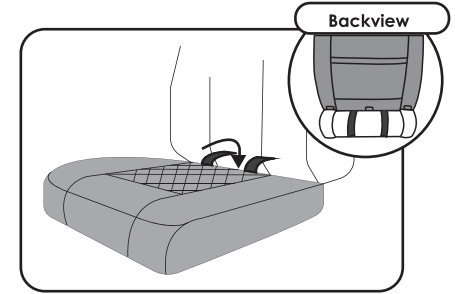
3 Push the straps through the seat crevice, and position the straps to the back of the seat.



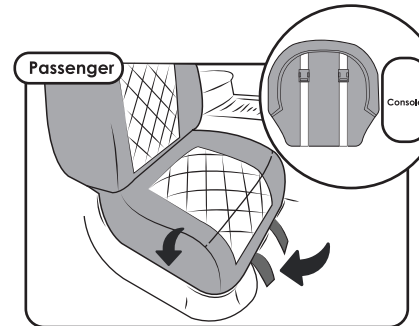
4 Once the straps come out of the seat's crevice, pull them out and attach them to the seat's flap, as shown in the image.



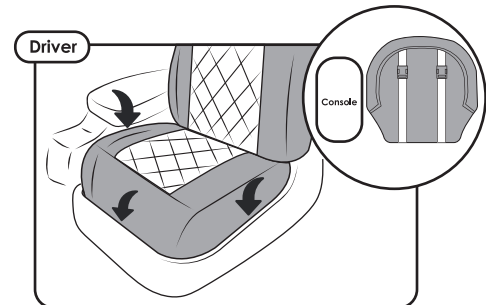
5 Locate the hook-and-loop patch at the back of the backrest cover and attach them directly to the car seat's upholstery. Please repeat the previous steps to install the other back rest cover.



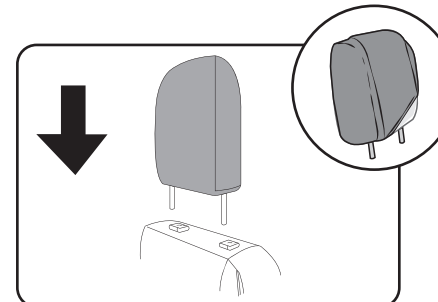
6 To install the bottom cover, place it on the seat and push the buckle straps through the seat crevice. Then, pull them out from the backside of the seat as shown in the image above.



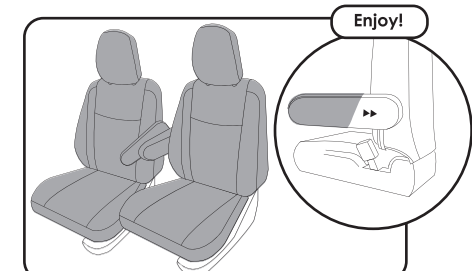
7a Tuck in the bottom cover around the seat, especially next to the center console, to ensure a snug fit. Finally, attach the buckle straps underneath the seat. TIP: Use a plastic tool to tuck in the cover easily.



7b Repeat the same process to install the bottom cover of the driver seat. Don't forget to tuck in the cover around the seat, especially next to the center console.



8 Reattach the headrests to the seats and slip on the headrest covers. TIP: Starting from either side of the headrest and sliding the cover sideways will help you achieve a secure fit.



9 Adjust accordingly and smooth out your custom-fit seat cover. Lastly, slide on the armrest cover over the armrest and enjoy!